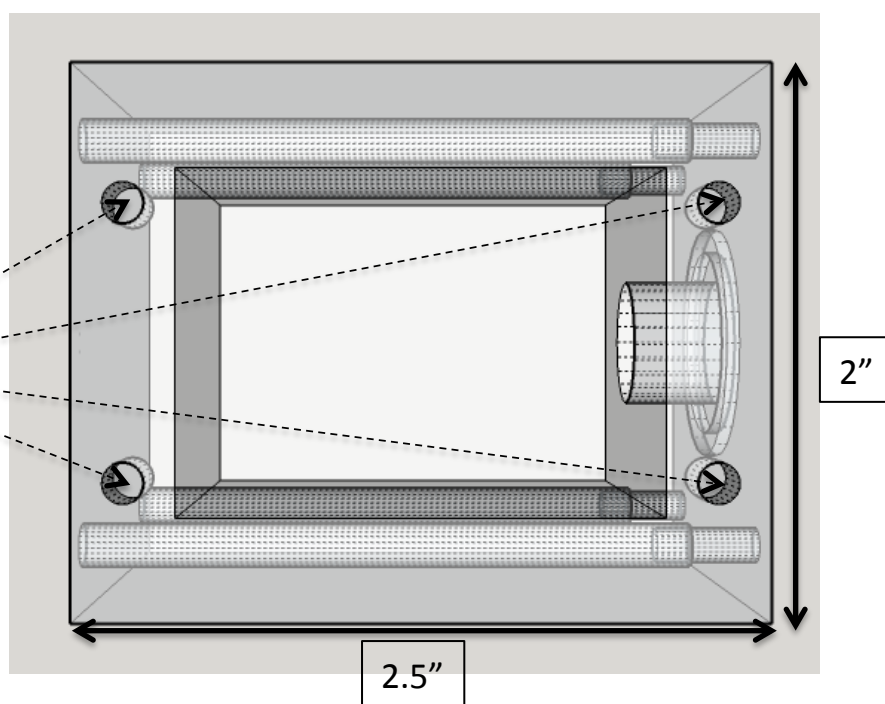


Counter electrode cell (part B)

$\frac{1}{4}$ " deep holes tapped for 10-24 screws for attaching cover



10-24 screw through holes with cap clearance except final $\frac{1}{4}$ " (thread clearance) for coupling workind and counter cells

