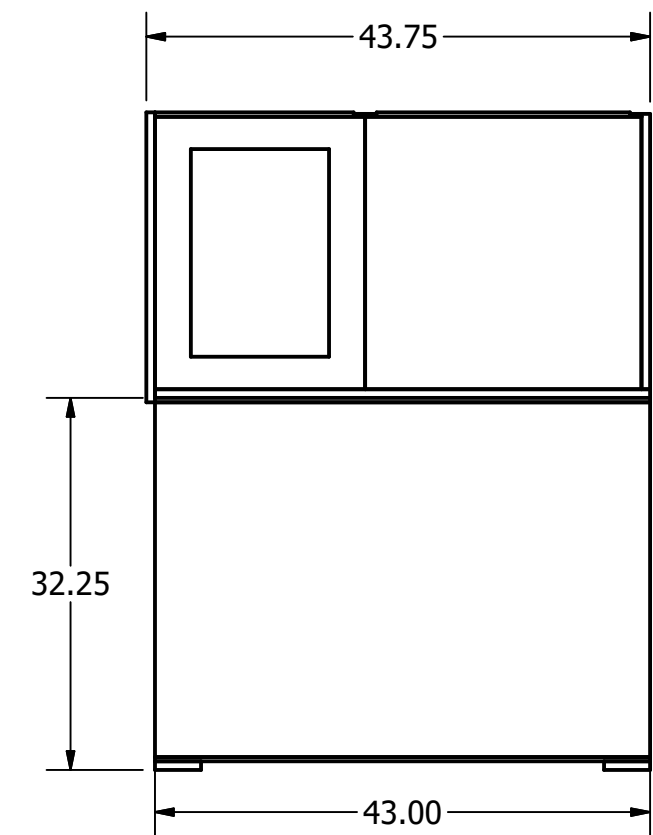
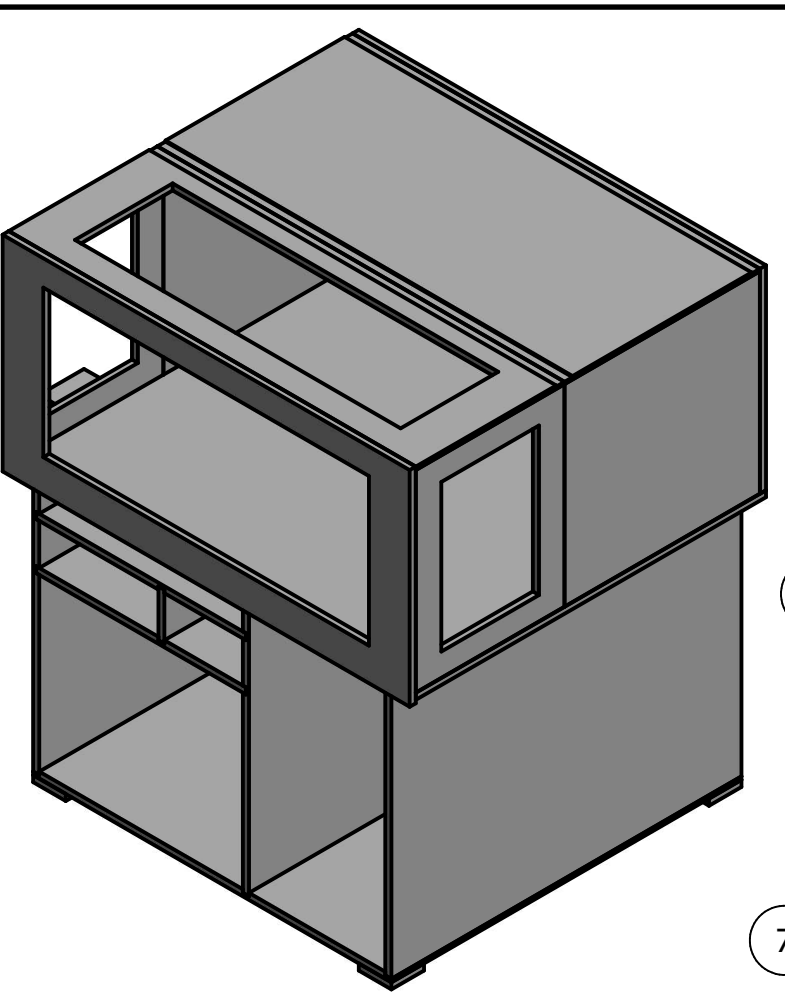
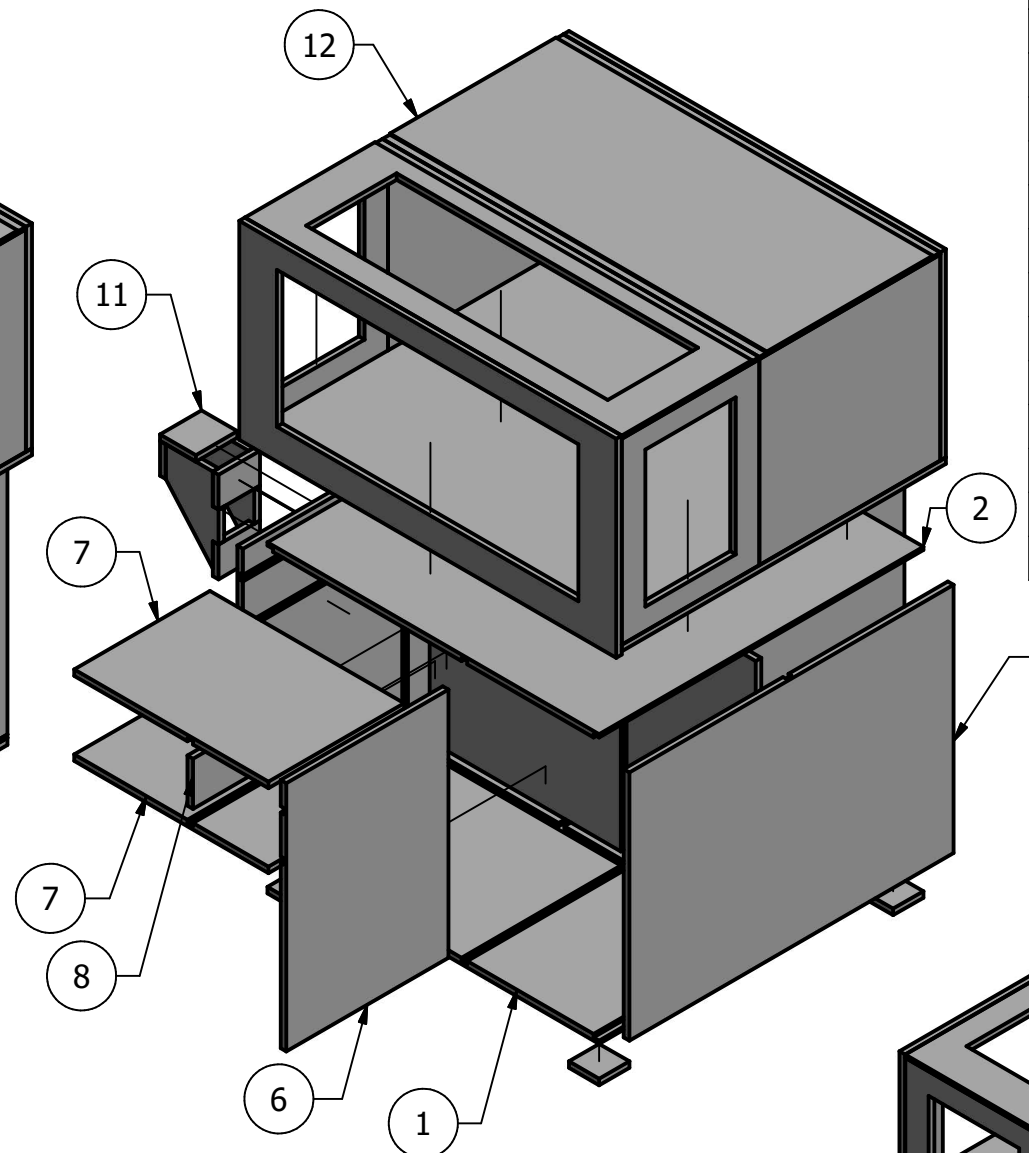


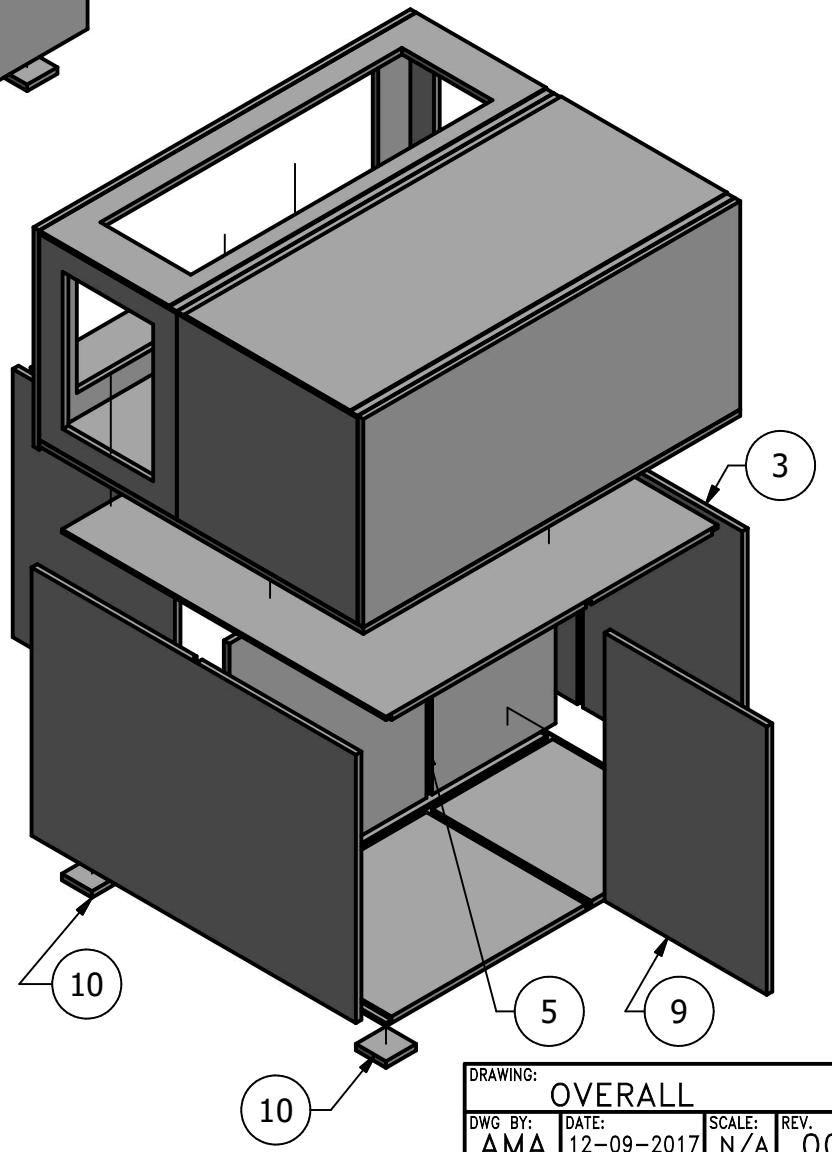
FRONT



BACK



BOM			
ITEM	QTY	PART NUMBER	SIZE
1	1	BASE BASE	PER DWG
2	1	BASE TOP	PER DWG
3	1	BASE SIDE_L	PER DWG
4	1	BASE SIDE_R	PER DWG
5	1	BASE MID_M	PER DWG
6	1	BASE MID_F	PER DWG
7	2	BASE_COMPUTER_TB	PER DWG
8	1	BASE_COMPUTER_S	5.75"x16"
9	1	BASE_M_B	30.75"x21.5"
10	4	BASE_CASTER	4"x4"
11	1	MONITOR SUPPORT	PER DWG
12	1	TOP	PER DWG



DRAWING: OVERALL			
DWG BY: AMA	DATE: 12-09-2017	SCALE: N/A	REV: 00