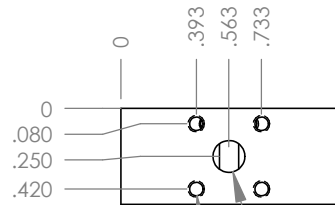
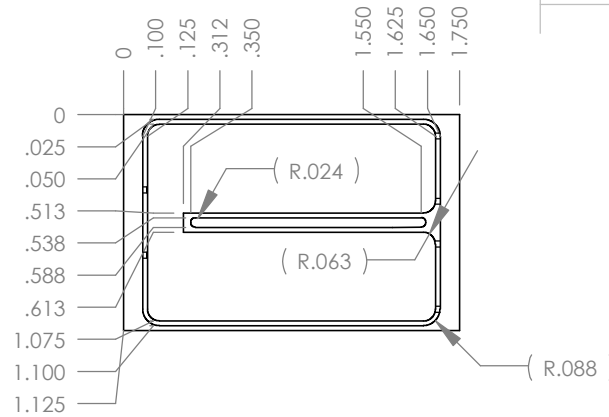
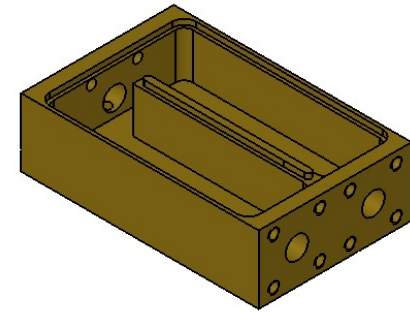
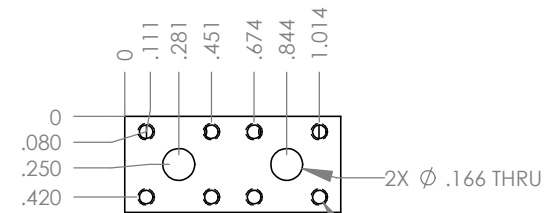
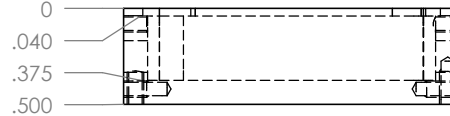


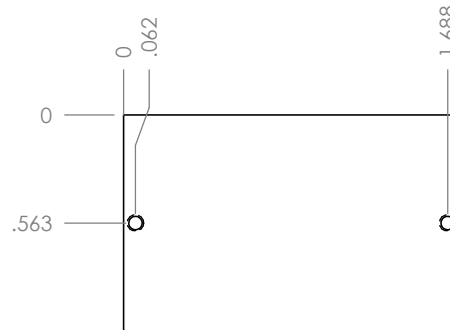
REVISIONS		DATE	APPROVED
ZONE	REV.	DESCRIPTION	



4X ϕ .070 ∇ .226
2-56 UNC ∇ .172 ϕ .166 THRU



8X ϕ .070 ∇ .226
2-56 UNC ∇ .172



2X ϕ .070 ∇ .226
2-56 UNC ∇ .172

PROPRIETARY AND CONFIDENTIAL
THE INFORMATION CONTAINED IN THIS DRAWING IS THE SOLE PROPERTY OF ANATECH ELECTRONICS, INC. ANY REPRODUCTION IN PART OR AS A WHOLE WITHOUT THE WRITTEN PERMISSION OF ANATECH ELECTRONICS, INC IS PROHIBITED.

		DIMENSIONS ARE IN INCHES		NAME	DATE	ANATECH ELECTRONICS, INC	
		TOLERANCES:		DRAWN	DDD		2017-02-17
		FRACTIONAL \pm		CHECKED			
		ANGULAR: MACH \pm BEND \pm		ENG APPR.			
		TWO PLACE DECIMAL \pm .010		MFG APPR.			
		THREE PLACE DECIMAL \pm .005		Q.A.			
		MATERIAL		COMMENTS:		HOUSING, DIPLEXER LUMPED	
		BRASS 360					
		FINISH					
NEXT ASSY	USED ON	SILVER				SIZE	
APPLICATION		DO NOT SCALE DRAWING				DWG. NO.	
						HSG-213	
						REV.	
						1	
				SCALE:1:1		WEIGHT:	
						SHEET 1 OF 1	