

4

3

2

1

D

D

C

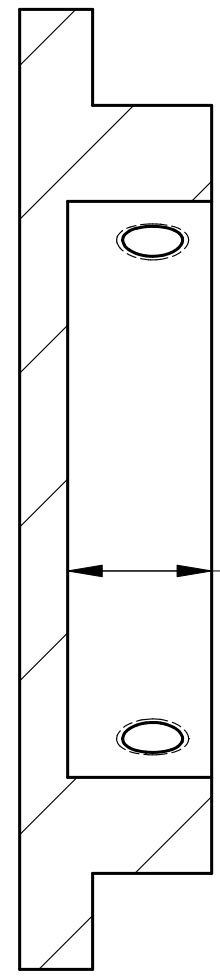
C

B

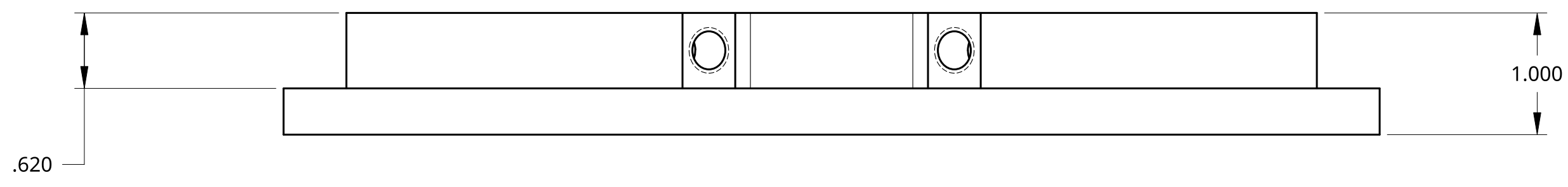
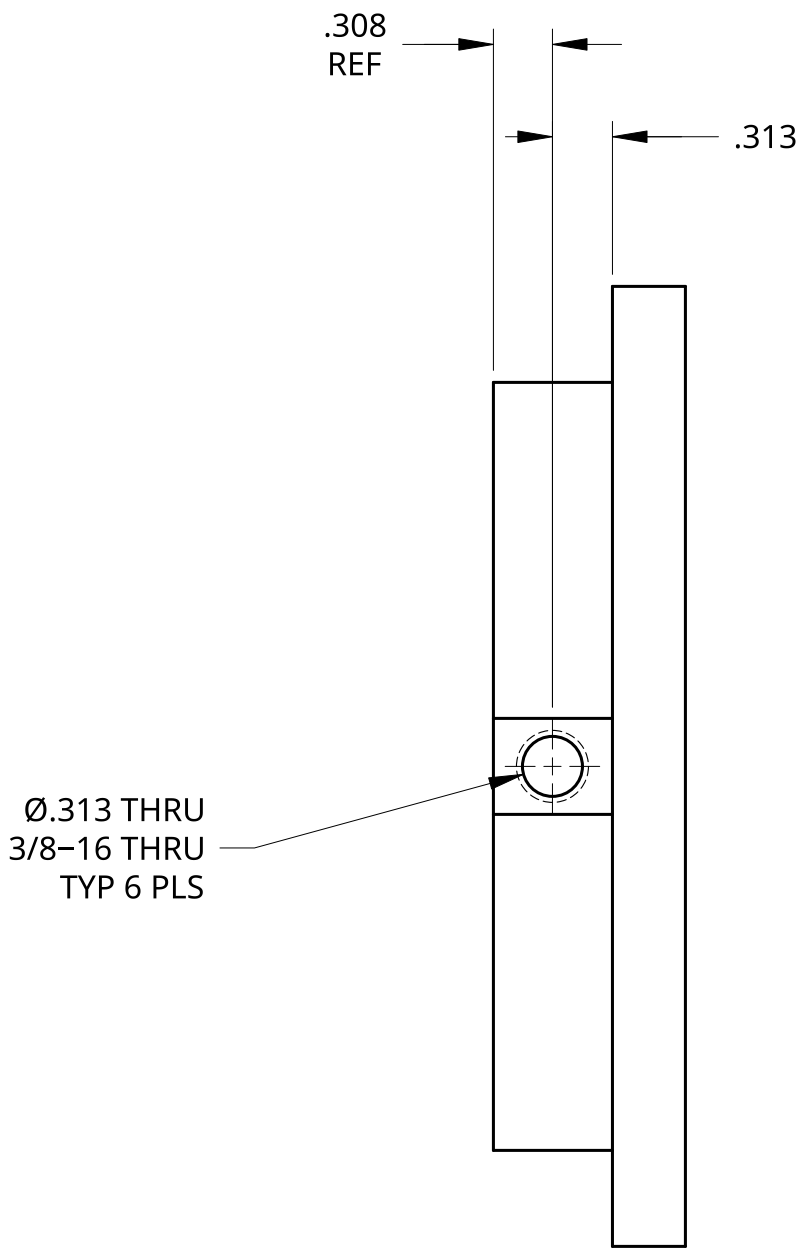
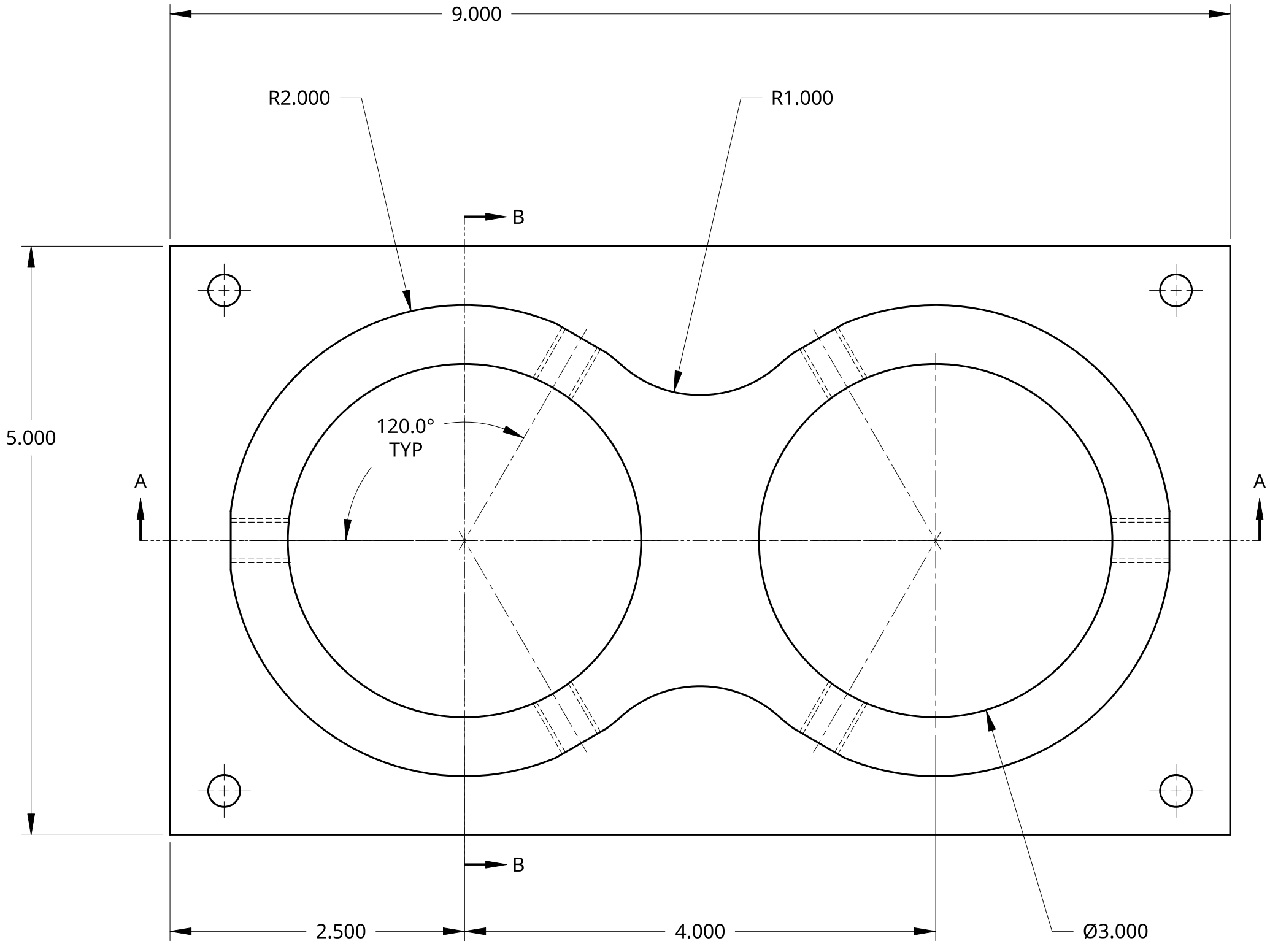
B

A

A



SECTION B - B



SECTION A - A

UNLESS OTHERWISE SPECIFIED, DIMENSIONS ARE IN INCHES		NAME	DATE		
.XX = ±.0-	ANGULAR = ±°	DRAWN	JAMES CLOSE	10/29/2023	
.XXX = ±.00-	FRACTIONAL = ±	CHECKED			TITLE
.XXXX = ±.000-		APPROVED			
SURFACE FINISH <input checked="" type="checkbox"/>		DO NOT SCALE DRAWING			
BREAK ALL SHARP EDGES AND REMOVE BURRS					
THIRD ANGLE PROJECTION	MATERIAL	FINISH		SIZE	DWG NO.
				C	
				SCALE	1:1
				WEIGHT	
				SHEET	1 of 1

4

3

2

1