

Package Contents:
HGR20-1000/334mm+SFU1605-1046/350mm SET:

HLTNC Model	Quantity	Description	note
HGR20	6	length 1000mm round rails	can be customized length & drawings
	2	length 334mm round rails	
HGR20CA	12	slide block	
SFU1605	1	length 350mm ballscrew with nut and end machining	Total length can be customized & drawings
	3	length 1046mm ballscrew with nut and end machining	
DSG16H	4	ballscrew nut Housing/bracket	

HGR20 Rail x 2 Units 334mm - cut with holes below
HGR20 Rail x 6 Units 1000mm - holes even space

4ballscrews + 8HGR supported rails +12 slider blocks+4 nut +4 nut housing

Price: **US \$466.00** / piece

Color: Brown

Seller Guarantees: ships out within 7 business days
On-time Delivery 60 days

CN (Zhejiang)

[Visit Store](#)

[Add to My Favorite Stores](#)

This is a snapshot of the product taken when the order was placed. [View current product](#)

Product Details

Item specifics

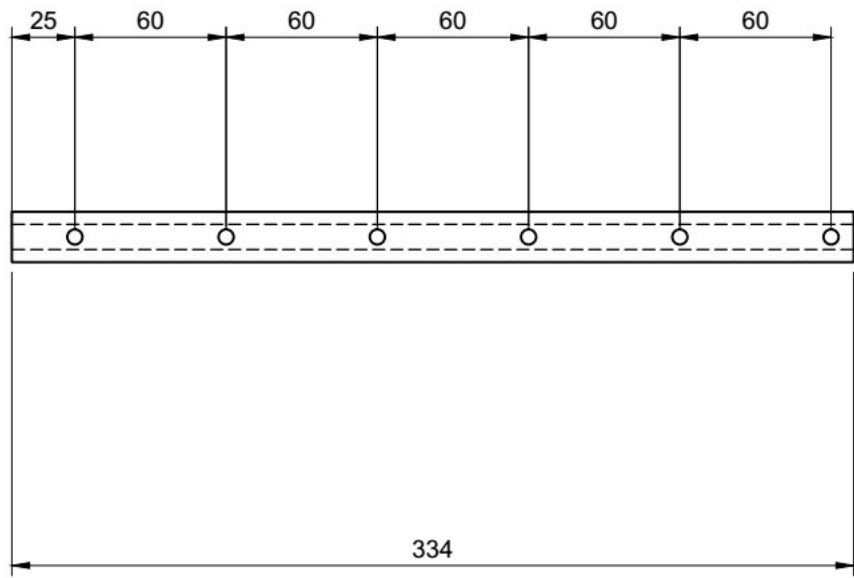
Model Number:HGR20SFU1605
Brand Name:HLTNC
Guide Width or Diameter:16/20
linear table:cnc
Linear Rails SBR16:ballscrews 1605
3 ballscrews :couplers
bearing mount :BK/BF12

Product Description

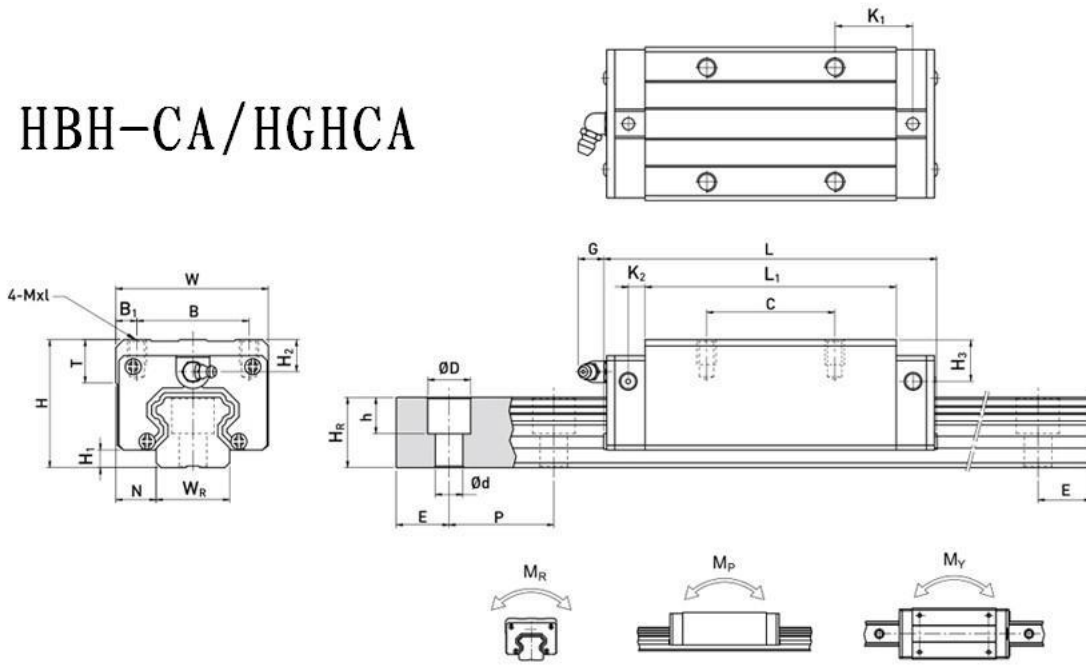
Package Contents: HGR20-1000/334mm+SFU1605-1046/350mm SET:

HLTNC		Packing list		
Model		Quantity	Description	note
HGR20		4	length 1000mm round rails	can be customized length & drawings
		2	length 334mm round rails	
HGR20CA		12	slide block	
SFU1605		1	length 350mm ballscrew with nut and end machining	Total length can be customized & drawings
		3	length 1046mm ballscrew with nut and end machining	
DSG16H		4	ballscrew nut Housing/bracket	

HGR20 Rail x 2 Units 334mm - cut with holes below
HGR20 Rail x 6 Units 1000mm - holes even space



HBH-CA/HGHCA

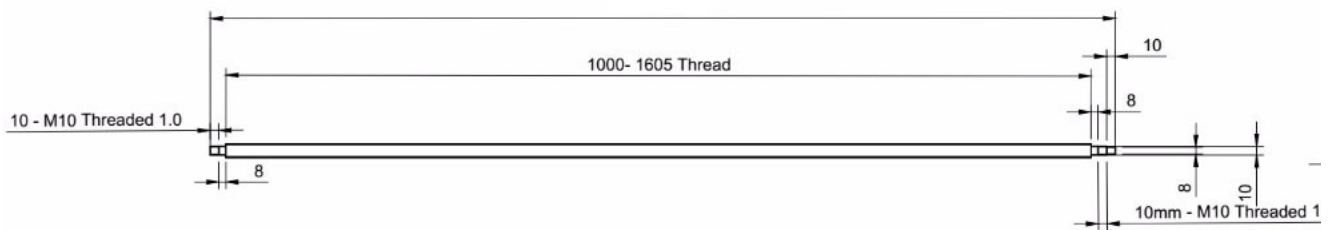


Model No.	Dimensions of Assembly (mm)		Dimensions of Block (mm)													Dimensions of Rail (mm)					Mounting Bolt for Rail (mm)	Basic Dynamic Load Rating C (kN)	Basic Static Load Rating C _v (kN)	Static Rated Moment					
	H	H ₁	N	W	B	B ₁	C	L ₁	L	K ₁	K ₂	G	Mxl	T	H ₂	H ₃	W _R	H _R	D	h				d	P	E	M _R (kN-m)	M _P (kN-m)	M _Y (kN-m)
HGH15CA	28	4.3	9.5	34	26	4	26	39.4	61.4	10	4.85	5.3	M4x5	6	7.95	7.7	15	15	7.5	5.3	4.5	60	20	M4x16	11.38	16.97	0.12	0.10	0.10
HGH20CA	30	4.6	12	44	32	6	36	50.5	77.5	12.25	6	12	M5x6	8	6	6	20	17.5	9.5	8.5	6	60	20	M5x16	17.75	27.76	0.27	0.20	0.20
HGH20HA							50	65.2	92.2	12.6															21.18	35.90	0.35	0.35	0.35
HGH25CA	40	5.5	12.5	48	35	6.5	35	58	84	15.7	6	12	M6x8	8	10	9	23	22	11	9	7	60	20	M6x20	26.48	36.49	0.42	0.33	0.33
HGH25HA							50	78.6	104.6	18.5															32.75	49.44	0.56	0.57	0.57
HGH30CA	45	6	16	60	40	10	40	70	97.4	20.25	6	12	M8x10	8.5	9.5	13.8	28	26	14	12	9	80	20	M8x25	38.74	52.19	0.66	0.53	0.53
HGH30HA							60	93	120.4	21.75															47.27	69.16	0.88	0.92	0.92
HGH35CA	55	7.5	18	70	50	10	50	80	112.4	20.6	7	12	M8x12	10.2	16	19.6	34	29	14	12	9	80	20	M8x25	49.52	69.16	1.16	0.81	0.81
HGH35HA							72	105.8	138.2	22.5															60.21	91.63	1.54	1.40	1.40
HGH45CA	70	9.5	20.5	86	60	13	60	97	139.4	23	10	12.9	M10x17	16	18.5	30.5	45	38	20	17	14	105	22.5	M12x35	77.57	102.71	1.98	1.55	1.55
HGH45HA							80	128.8	171.2	28.9															94.54	136.46	2.63	2.68	2.68
HGH55CA	80	13	23.5	100	75	12.5	75	117.7	166.7	27.35	11	12.9	M12x18	17.5	22	29	53	44	23	20	16	120	30	M14x45	114.44	148.33	3.69	2.64	2.64
HGH55HA							95	155.8	204.8	36.4															139.35	196.20	4.88	4.57	4.57
HGH65CA	90	15	31.5	126	76	25	70	144.2	200.2	43.1	14	12.9	M16x20	25	15	15	63	53	26	22	18	150	35	M16x50	163.63	215.33	6.65	4.27	4.27
HGH65HA							120	203.6	259.6	47.8															208.36	303.13	9.38	7.38	7.38

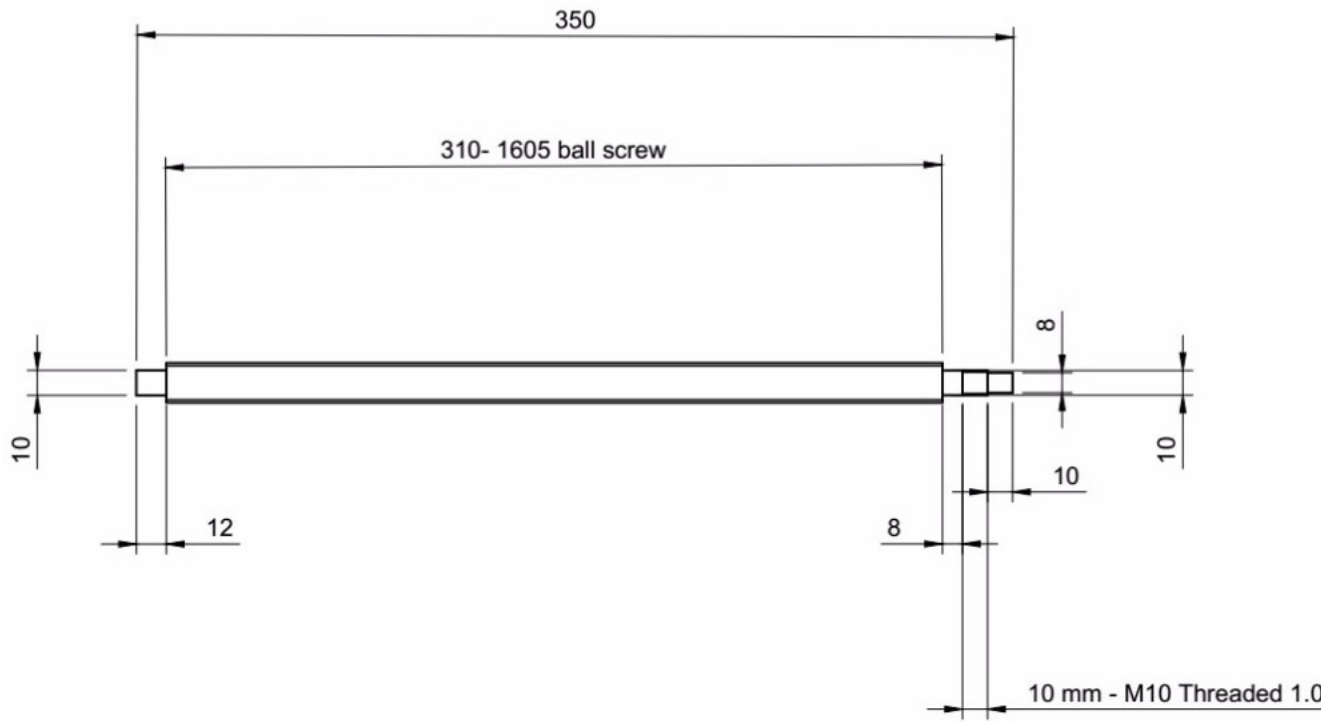
Note : 1 kgf = 9.81 N

1605 Ball Screw x 3 Units

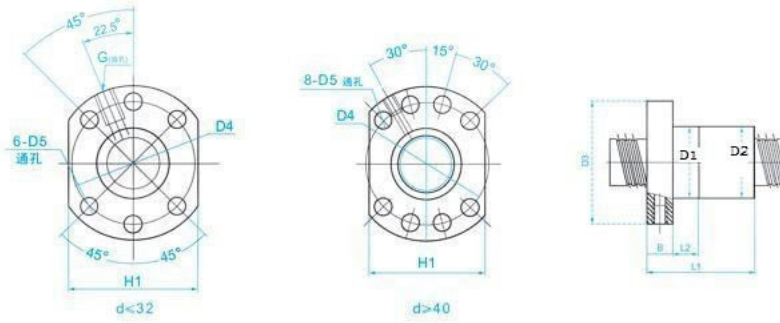
1046mm



1605 Ball Screw 1 Unit



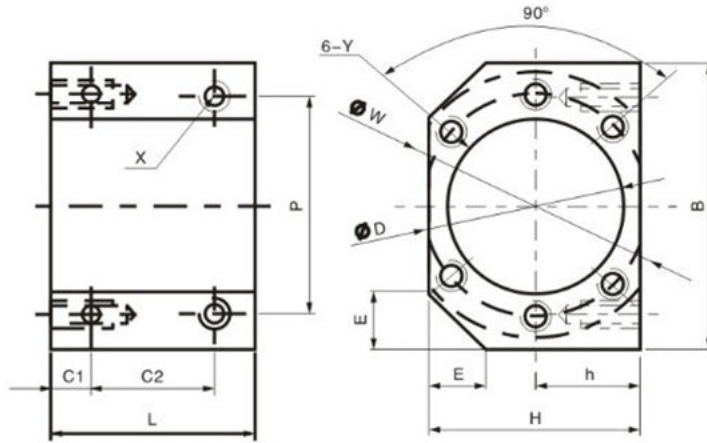
Nut Size Table



单位(Unit):mm

Model	Diameter	Guide	Ball diameter	Flange Type	Circle number	Nut installation and connection dimensions											额定载荷(KN)	
						D1(g6)	D2(g6)	D3	D4	D5	L1	L2	B	G	H1	动载荷 Ca	静载荷 Coa	
TXP01204-3	12	4	2.381	d<32	3	22	21.5	42	32	4.8	35	10	8	M6	30	4	6.7	
TXP01604-3	16	4	2.381	d<32	3	28	\	48	38	5.5	36	\	10	M6	40	4.35	9.2	
TXP01605-3	16	5	3.175	d<32	3	28	27.8	48	38	5.5	42	10	10	M6	40	7.65	13.2	
TXP01610-2	16	10	2.778	d<32	2(原头)	28	27.8	48	38	5.5	42	10	10	M6	40	7.36	12.75	
TXP02005-3	20	5	3.175	d<32	3	36	35.8	58	47	6.7	42	10	10	M6	44	8.6	17.1	
TXP02010-2	20	10	3.175	d<32	2(原头)	36	35.8	58	47	6.7	42	10	10	M5	40	8.35	16.8	
TXP02010-3	20	10	3.175	d<32	3(原头)	36	35.8	58	47	6.7	52	10	10	M5	40	8.35	16.8	
TXP02504-3	25	4	2.381	d<32	3	40	\	62	51	6.6	40	\	10	M6	48	9.1	26.5	
TXP02505-3	25	5	3.175	d<32	3	40	39.5	62	51	6.6	42	10	10	M6	48	9.8	23	
TXP02510-3	25	10	4.763	d<32	3	40	39.5	62	51	6.8	85	16	15	M6	48	8.7	20.5	
TXP03205-3	32	5	3.175	d<32	5	50	49.5	80	65	9	55	10	12	M6	62	16.9	51	
TXP03250-3	32	30	6.35	d<32	3	50	49.5	80	65	9	74	16	12	M8X1	62	16.1	53.1	
TXB	40	10	10	3	3	63	62.5	93	78	9	71	16	14	70	70	71	71	
TXP04010-3	40	10	6.35	d>40	3	63	62.5	93	78	9	71	16	14	M8X1	70	30.1	71	
TXP04020-2	40	20	6.35	d>40	2(原头)	63	62.5	93	78	9	94	20	14	M8X1	70	40.3	98.4	
TXP04020-3	40	20	6.35	d>40	3(原头)	63	62.5	93	78	9	144	20	14	M8X1	70	40.3	98.4	
TXP05010-4	50	10	6.35	d>40	4	75	74.5	110	93	11	95	16	16	M8X1	85	53.1	155	
TXP06310-5	63	10	6.35	d>40	5	90	\	125	108	11	97	\	18	M8X1	95	60.7	206	
TXP08010-5	80	10	6.35	d>40	5	105	\	145	125	13.5	101	\	20	M8X1	110	66.6	265	

螺母座连接器 Nut a connector



PARCA NO	SOMUN	D	B	H	h	E	L	C1	C2	P	X	W	Y
16H	1605	28	52	40	20	12	40	8	24	40	M5	38	M5
	1610												
1616	1616	32	54	38	19	8	40	8	24	44	M5	42	M4
20H	2005	36	62	44	22	12	40	8	24	48	M6	47	M6
	2010												
2020	2020	39	64	46	23	11	40	8	24	52	M6	50	M5
25H	2505	40	66	48	24	13	40	8	24	50	M6	51	M6
	2510												
2525	2525	47	68	56	28	9	40	8	24	50	M6	60	M6
32H	3205	50	86	62	31	17	40	8	24	66	M8	65	M8
	3210												
40H	4005	63	100	70	35	19	40	8	24	80	M8	78	M8
	4010												
50H	5010	75	116	85	42.5	22	46	10	26	92	M8	93	M8



Company Information

Lishui Hengli Automation Technology Co.,Ltd is a manufacturer with large factory,which is located in a beautiful tourist city——Lishui. We focus on researching, developing and producing linear motion components,bearings and motors, such as ball screw, linear guide, shaft, linear bearing, ball joint bearing,spindle motor, stepper motor, drivers,inverters etc.

Our Services

Why Choose Us ? ? ?

- 1) We do our best to serve our each customer the best that we can.
- 2) We will refund you for items returned within 7 days of you receiving them, for any reason. A full refund will be given if items are returned in their original condition.Merchandise which is damaged or missing components is not refundable.On receiving items, we will refund you immediately.
- 3) Warranty &Maintenance:
We provide 1 month replacement and 12 months maintenance warranties. Items can be replaced during the first month or maintained for the first year.

Buyers are only responsible for the return shipping fees for warranty items.(In most cases, buyer will only have to return the problem components rather than the entire package.).

Before returning items, please make sure you get our (the seller's) return address, and write "gift" on the delivery detail sheet. Please use regular postal service and send us the tracking number. As soon as we receive the items, we will repair or exchange them ASAP.

FAQ

1) If machine have any problem after I receive it, how can I do ?

Free parts send to you in machine warranty period.
If the part is less than 0.5KG, we pay the postage.
If it exceeds 0.5KG, you need to pay the postage.

2) MOQ ?

1 set machine, mixed order is also welcomed.

3) How can I buy this machine from you? (Very easy and flexible !)

- A. Consult us about this product on line or by e-mail.
- B. Negotiate and confirm the final price , shipping , payment methods and other terms.
- C. Send you the proforma invoice and confirm your order.
- D. Make the payment according to the method put on proforma invoice.
- E. We prepare for your order in terms of the proforma invoice after confirming your full payment. And 100% quality check before shipping.
- F.Send your order by air or by sea.

We also produce **linear bearings, rod end, needle roller, TBR / SBR linear guide,TBRUU / SBRUU linear support, SHF / SH / SK support, BK / BF / EK / EF / FK / FF Ball Full-size screw-end support.**



Payment

PayPal Account: 1272031585@qq.com



Shipment



Shipping method	Russia	Europe	Asia	Australia	Africa	North America	Brazil
	Delivery time						
China post air mail	15-60	15-35	15-35	15-35	15-60	7-30	25-90
Holland post air mail	7-30	7-30	7-30	7-30	7-30	7-30	15-60
DHL	NO	3-5	3-6	3-7	3-8	3-7	NO
FEDEX	NO	4-8	4-9	4-9	4-10	4-8	NO
EMS	5-20	5-15	5-15	5-15	10-25	5-20	10-30

WELCOME TO CONTACT US !!

We will be here to serve you any time !!!

Packaging Details

Unit Type:piece

Package Weight:27.0kg

Package Size:115cm x 20cm x 20cm

Help

Customer Service, Disputes & Reports, Buyer Protection, Report IPR infringement

AliExpress Multi-Language Sites

Russian, Portuguese, Spanish, French, German, Italian, Dutch, Turkish, Japanese, Korean, Thai, Vietnamese, Arabic, Hebrew, Polish

Browse by Category

All Popular, Product, Promotion, Low Price, Great Value, Reviews, Blog, Seller Portal, BLACK FRIDAY

Alibaba Group

Alibaba Group Website, AliExpress, Alimama, Alipay, Fliggy, Alibaba Cloud, Alibaba International, AliTelecom, DingTalk, Juhuasuan, Taobao Marketplace, Tmall, Xiami, AliOS, 1688

